

# Long Reach Type Top Loading Arm B32F, B32RF

## FEATURES AND BENEFITS

This popular OPW top loading arm is specifically designed for those applications where smooth handling and wide working range is required. Especially useful for top loading of railcars or multi-compartment tank trucks.

The boom, supported by a high quality pillow block, allows for maximum flexibility and smooth operation combined with a significant longer reach. Both boom and arm can be folded back against the gantry for convenient, compact storage away from the traffic flow.

Commonly used to handle high flow rates and withstand rough usage in railcar and tank-truck loading applications. A stable construction is guaranteed by the supported boom which allows optional accessories to be mounted.



- **Ideal** for applications where a wide working envelope is required
- **Easy to handle**, smooth operation
- **Compact** storage when not in use
- **All flanged construction** for ease of maintenance
- **Swivels** equipped with grease nipple
- **Durable** construction
- **Available in** 2" / dn50, 3" / dn80 , 4" / dn100 and 6" / dn150 with ASA 150lbs RF or DIN PN10/16 inlet flange
- **B32RF** with inboard loading valve and remote control handle, B32F without valve
- **Inverted** intermediate swivel and/or inlet orientation, model B33RF or B33F, to assist self draining capability available
- **Boom arm** can be made with upwards or downwards slope
- **Design** allows for optional vapour recovery cone
- **Adaptable** to tight-fill or closed-system loading with optionally supplied swivels and couplers
- **Alternative materials** of construction Carbon Steel or 316/316L Stainless Steel
- **Wide range** of swivel seal material available
- **Pre-balanced** at the factory to minimise installation and commissioning time

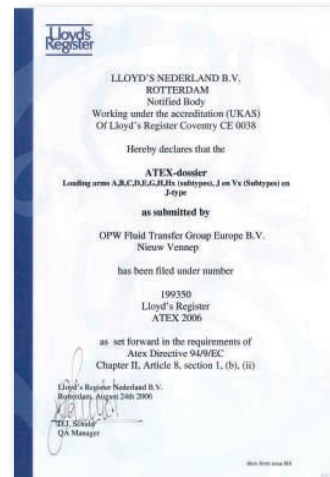
## CERTIFICATES



NEN-EN-ISO 9001:2000



PED 97/23/EC



ATEX 94/9/EC

## PRODUCT SPECIFICATION

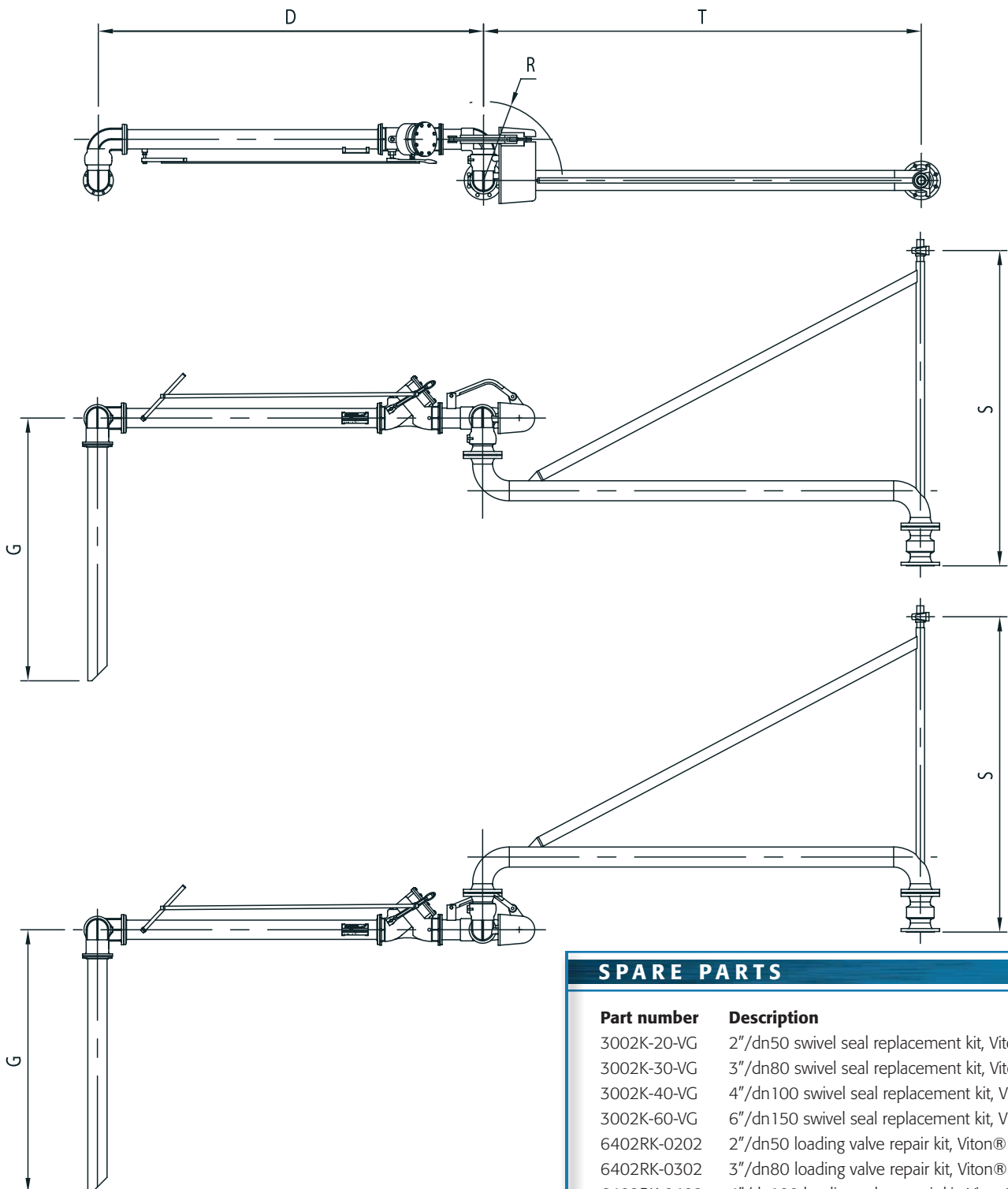
### Materials of construction

Inlet swivel	Carbon steel
Intermediate swivel	Ductile Iron
Drop tube swivel	Aluminium
Swivel seals	Viton® GFLT
Boom arm	Carbon Steel
Primary arm	Aluminium
Drop tube	Aluminium

## DIMENSIONS

Size	Dimensions (in mm)				
	D	G	R	S	T
2" / dn50	2200	1500	381	1800	2500
3" / dn80	2200	1500	406	1800	2500
4" / dn100	2200	1500	451	1800	2500
6" / dn150	2200	1500	629	1800	2500

Other dimensions available on request

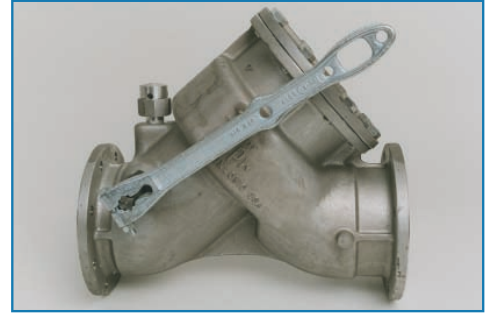


## SPARE PARTS

Part number	Description
3002K-20-VG	2"/dn50 swivel seal replacement kit, Viton® GFLT
3002K-30-VG	3"/dn80 swivel seal replacement kit, Viton® GFLT
3002K-40-VG	4"/dn100 swivel seal replacement kit, Viton® GFLT
3002K-60-VG	6"/dn150 swivel seal replacement kit, Viton® GFLT
6402RK-0202	2"/dn50 loading valve repair kit, Viton®
6402RK-0302	3"/dn80 loading valve repair kit, Viton®
6402RK-0402	4"/dn100 loading valve repair kit, Viton®

## OPW LOADING VALVE

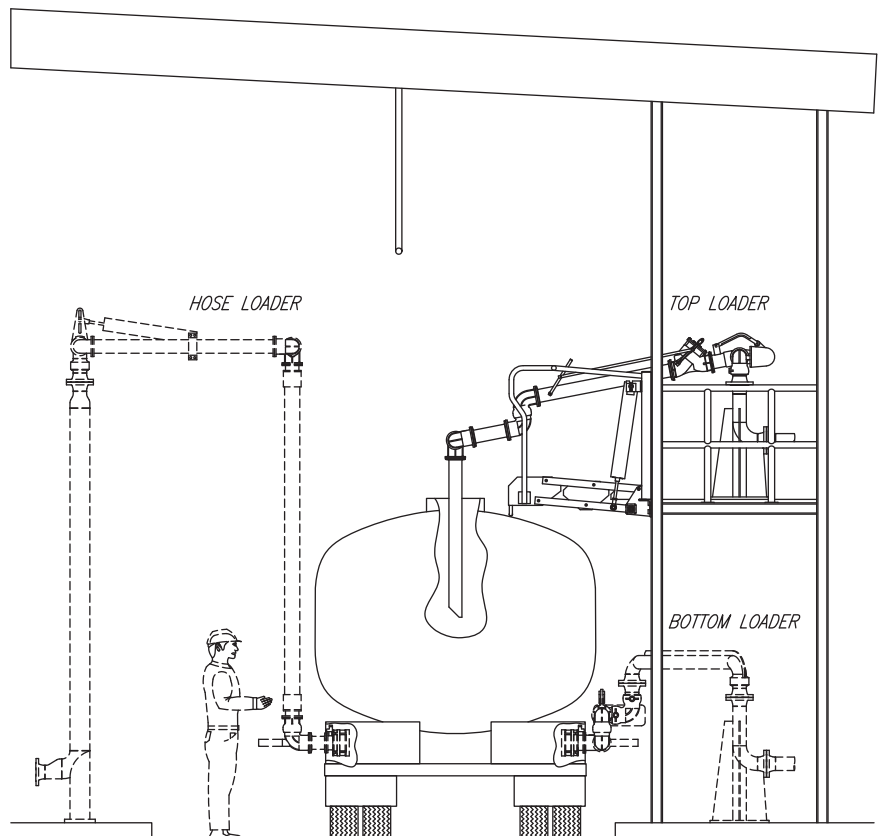
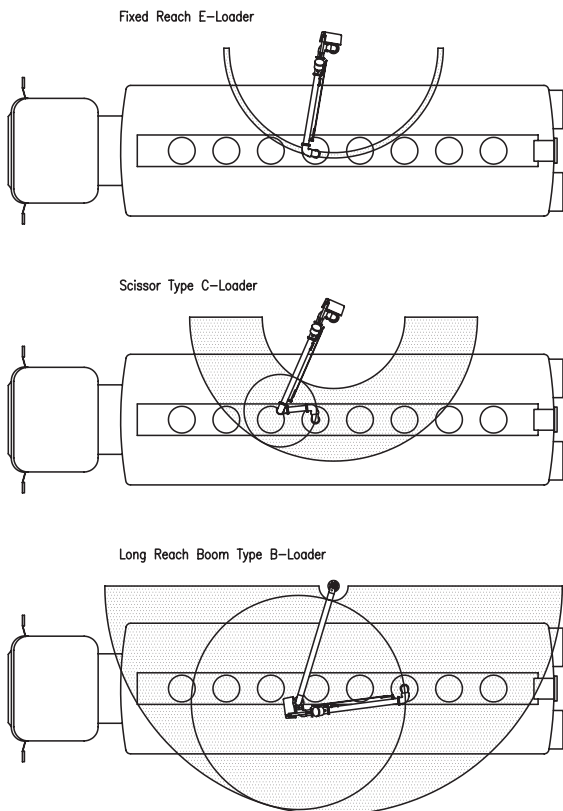
- **Dead man type** valve closes automatically when lever is released.
- **Adjustable closing ratio** prevents line shock, ensures smooth valve closure.
- **Integrated** TTMA flanges
- **Straight** or angle design
- **Built in** Vacuum Breaker Valve.
- **Viton®** seal as standard, optional Buna; LT Buna.



## ACCESSORIES

Article number	Description
466-AL30	Drip pan, for 3" /dn80 arm
466-AL40	Drip pan, for 4" /dn100 arm
466-AL60	Drip pan, for 6" /dn150 arm
464RP-AL30	T-deflector, for 3" /dn80 arm
464RP-AL40	T-deflector, for 4" /dn100 arm
788L-0040	Lock down device, right hand configuration
788LLH-0045	Lock down device, left hand configuration

Additional accessories include: Level detection; Position detection; Working position locking device, Parking lock, Automated or manual ball valve, Telescopic Drop tube and many more, please consult factory for information and availability.



## OPW Fluid Transfer Group: One Company, Five Brands



Dedicated engineered and patented solutions for pipe, tube and hose connections used for extreme applications high/low temperature & pressure and nuclear.

Examples: RapidLOK<sup>™</sup> for flange replacement; save vents and drains; locking quick connect; product recovery systems; cryogenic couplings; autoclave check valves ...

[www.hiltap.com](http://www.hiltap.com)



Mechanical and electronic components and systems for the safe loading, transportation and offloading of hazardous fluids on road tankers. Examples: flat bottom API's; bottom valves; vapour recover valves; overflow prevention system; sealed parcel delivery system; onboard monitoring system; crossover prevention system ...

[www.civacon.com](http://www.civacon.com)



Mechanical and electronic components and systems for the safe storage, transfer and loading of hazardous fluids at chemical plants, refineries and terminals.

Examples: loading arms for fuels, chemicals, bitumen; rack monitoring system; quick disconnects (kamlok<sup>®</sup>, autolok<sup>™</sup>); dry disconnects (epsilon<sup>™</sup>, drylok<sup>™</sup>, kamvalok<sup>®</sup>); floating suction assemblies ...

[www.opw-es.com](http://www.opw-es.com)



Components and systems for the safe loading, transportation and offloading of hazardous fluids and dry bulk on pressure & non-pressure railroad tank cars and dry bulk road tankers.

Examples: pressure & vacuum relief valves; needle valves; top transfer valves; valve actuator systems; overflow prevention systems ...

[www.midlandmfg.net](http://www.midlandmfg.net)



Components for pneumatic tank trailers, rail cars, chemical and pharmaceutical plants, and any application requiring the processing, movement and storage of dry bulk or liquid materials.

Example: butterfly valves; ball valves; sample systems; actuators; aeration systems; swing check valves ...

[www.suresealinc.com](http://www.suresealinc.com)



From the European Head office near Amsterdam The Netherlands, these 5 OPW Fluid Transfer Group brands are supported. In addition Loading Arms, Tank Truck equipment and its related accessories are designed and manufactured here to serve the OPW FTG Europe BV territory.

[www.opw-ftg.nl](http://www.opw-ftg.nl)